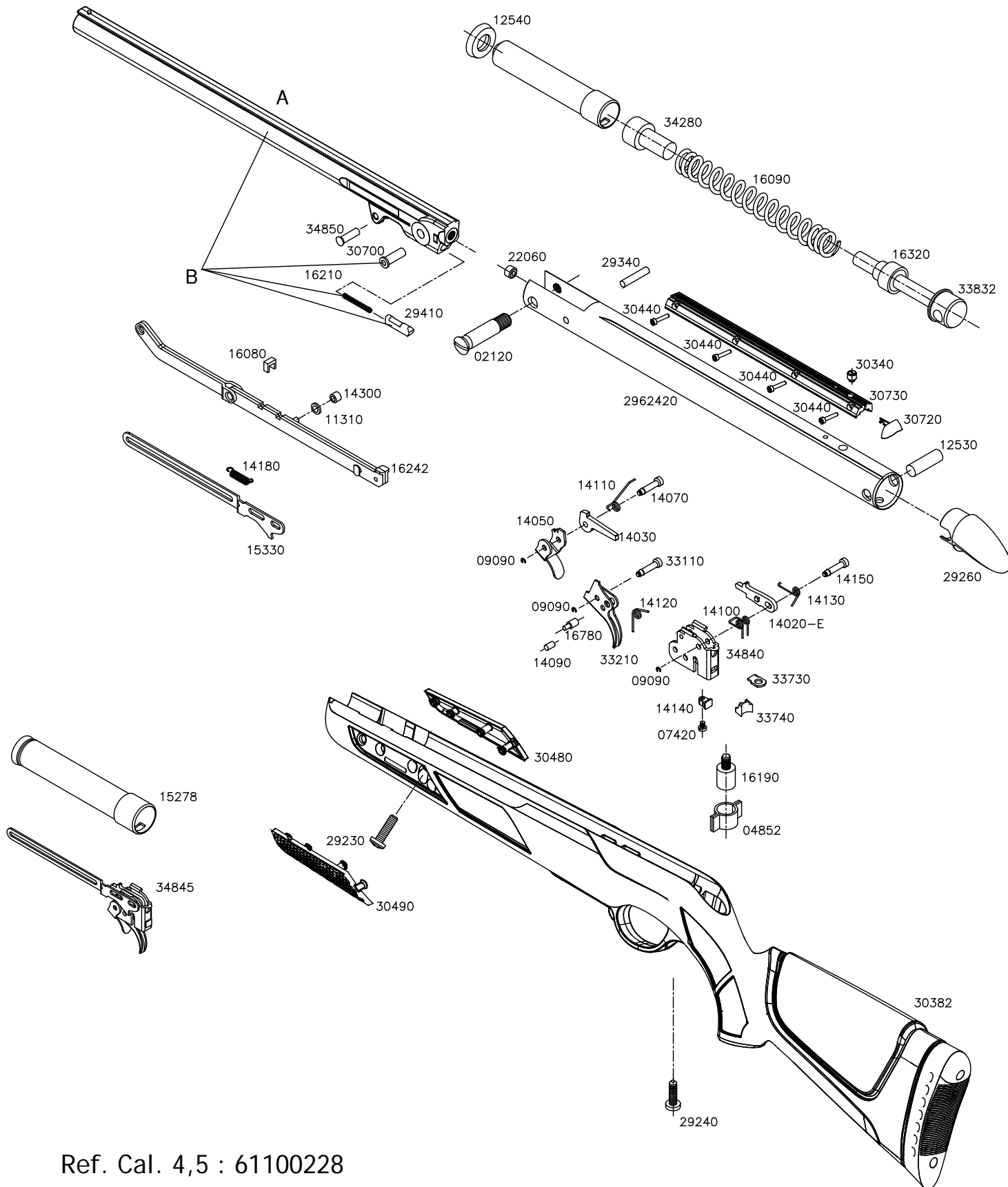


VIPERSKEET



Refer.	Descripcion
G212035	VISOR QUICK-SHOT BZ 30MM

Ref.	Cal. 4,5	Cal. 5,5
A	30570	30580
B	30572	30582



Ref. Cal. 4,5 : 61100228

Ref. Cal. 5,5 : 6110022855